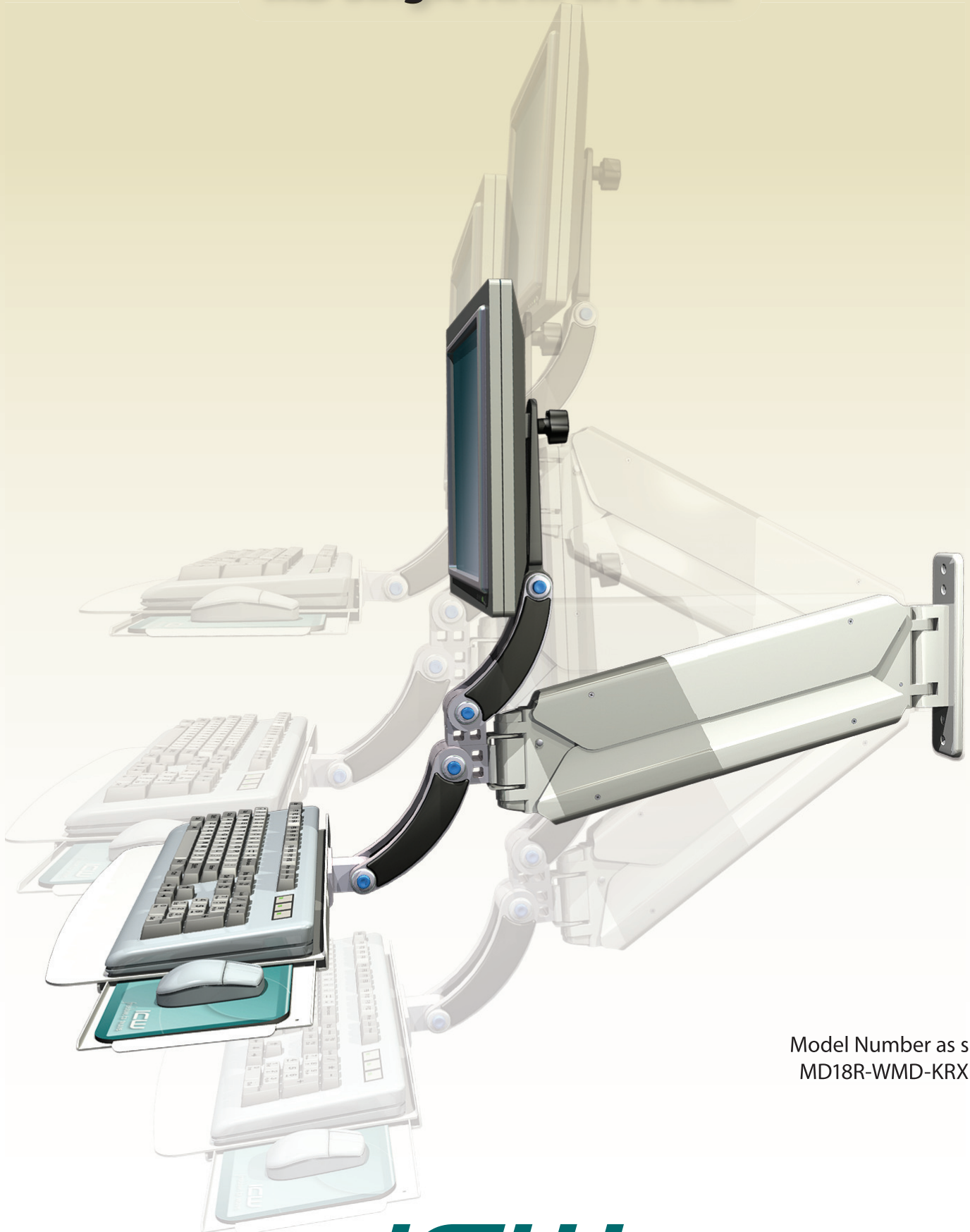


MD Single Arm w/T-Rex



Model Number as shown:
MD18R-WMD-KRXF-QG

ICW

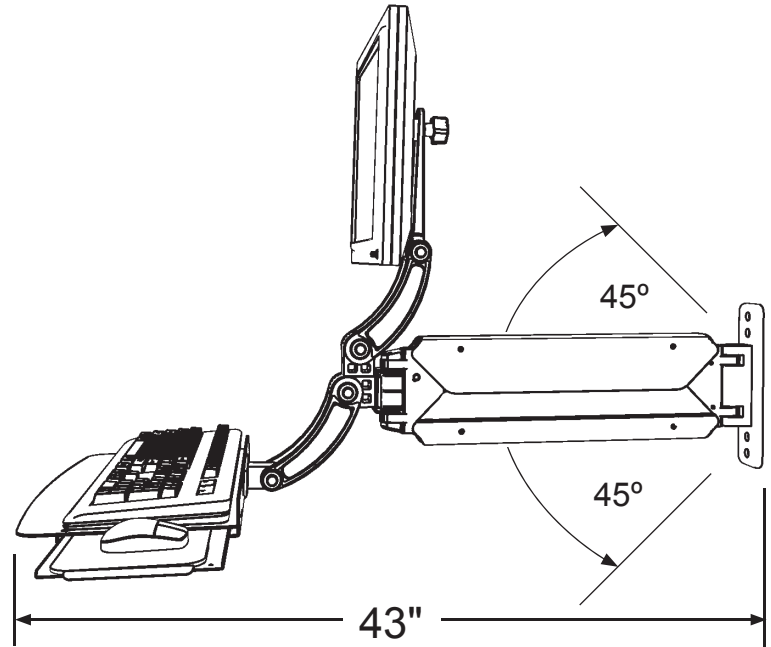
MD Single Arm w/T-Rex

DESCRIPTION:

The MD arm is the new gas spring assisted arm from ICW. With the thinner frame and slimmer design its a sit-stand workstation arm where space is tight.

FEATURES:

- Gas spring assisted
- Hidden cable management
- Effortless mobility
- Slim profile
- High payload
- Effortless Adjust between sitting and standing positions
- Provides lateral stability for todays wider screens



SPECIFICATIONS:

- Finish: Light Grey Powder Coat
- Weight capacity: 28 lbs (12.7 kg)
- Vert. movment: 25"
- Maximum reach: 32" w/o keyboard
43" with keyboard
- Stowed profile: 5.5" w/o keyboard
8.5" with keyboard
- Arm swivel at mount: 180°
- Screen swivel: 180°
- Screen tilt: 180°
- VESA interface: 75mm and 100mm

